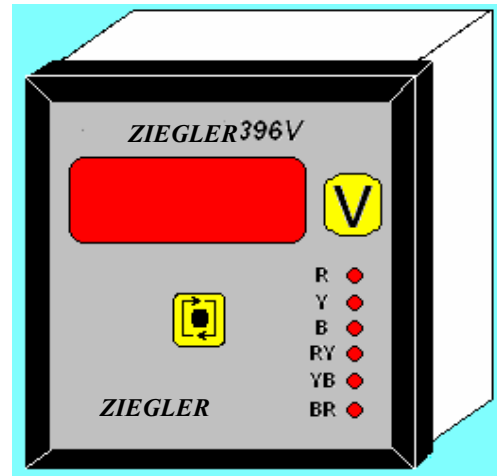
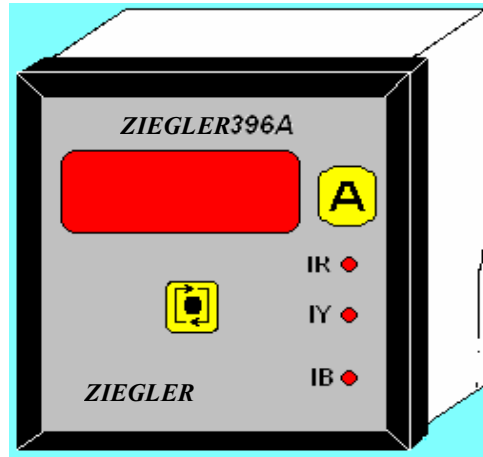


ZIEGLER DPM 396 A/V

Features:

- Available in Size 96mm x 96mm
- 3PH. AC Voltage or Current ranges.
- On site Programmable CT / PT ratio.
- Built in selector switch to Display Phase Currents (R, Y, B) in ACI and Phase to neutral Voltages (R, Y, B) and Line to Line Voltages (RY,YB, BR) in ACV.
- Available in 3PH. 3 WIRE and 3PH. 4 WIRE Versions.
- 3 ½ digit ultra bright Display.
- User defined Caption.
- Auxillary Power Supply : AC – 115V, 230V and DC - 24 V.



Highly adaptable DPMs suitable for a wide range of measuring applications.

Versions available for 3PH. AC Current or 3PH. AC Voltage inputs.

The chosen input range is user adjustable, from 5% to 100% of the full-scale value, for simple adaptation of the digital readout to the input value.

Applications

The digital panel meters **ZIEGLER** DPM 96 x 96 have been designed for industrial applications, which frequently require precise and on-site adjustment of the display range.

It can be used in industrial automation and for laboratory uses.

Description

ZIEGLER DPM 396 A/V :

396A	3PH. Current measurement (AC)
396V	3PH. Voltage measurement (AC)

3 ranges for power supply are available.

Applicable Regulations and Standards

Device safety	to IEC EN 61 010
EMC immunity	DIN EN 61 000-4-1 to 4
EMC radiated interference	DIN EN 50 081 Class B

ZIEGLER INSTRUMENTS

D-92318,Neumarkt, Eberhard-Faber-Str.2,
Nuernberg,Germany..

Tel.: 0049 918130483 / 42218

Fax : 0049 918130420

E-mail : info@ziegler-instruments.com

Website : <http://www.ziegler-instruments.com>

ZIEGLER DPM 396 A/V

Specifications :

Display :	Display range	: 1999
	Decimal point position	: Selectable by short links at the front side of Display.
	Negative display indication	: " - "
	Digit height	: 14 mm / 7- segment digits.
	Overload indication	: Last 3 digits blank.

Measuring ranges :

Model	396A
System	3PH. 3 WIRE or 3PH. 4 WIRE
Current Ranges Available (Voltage drop < 600 mV / Phase)	0...1A [45 65 Hz] or 0...1A [400 Hz] or 0...5A [45 65 Hz] or 0...5A [400 Hz] .

Model	396V
System	3PH. 3 WIRE or 3PH. 4 WIRE
Voltage Ranges Available (Input current < 600 μ A / Phase)	0...110 V L-L [45 65 Hz] or 0...110 V L-L [400 Hz] or 0...240 V L-L [45 65 Hz] or 0...240 V L-L [400 Hz] or 0...415 V L-L [45 65 Hz] or 0...415 V L-L [400 Hz] or

Accuracy :

Versions 396 A/V:	Measuring Accuracy Current (Voltage drop < 600 mV/Phase)	< 0.5% + 1 digit.
	Measuring Accuracy Voltage (Input current < 600 μ A/Phase)	< 0.5% + 1 digit.
	Temperature coefficient	100 ppm/ $^{\circ}$ C, plus.
	Zero point drift	200 ppm/ $^{\circ}$ C.
	Range adjustment span	from 5% to 100% of range.

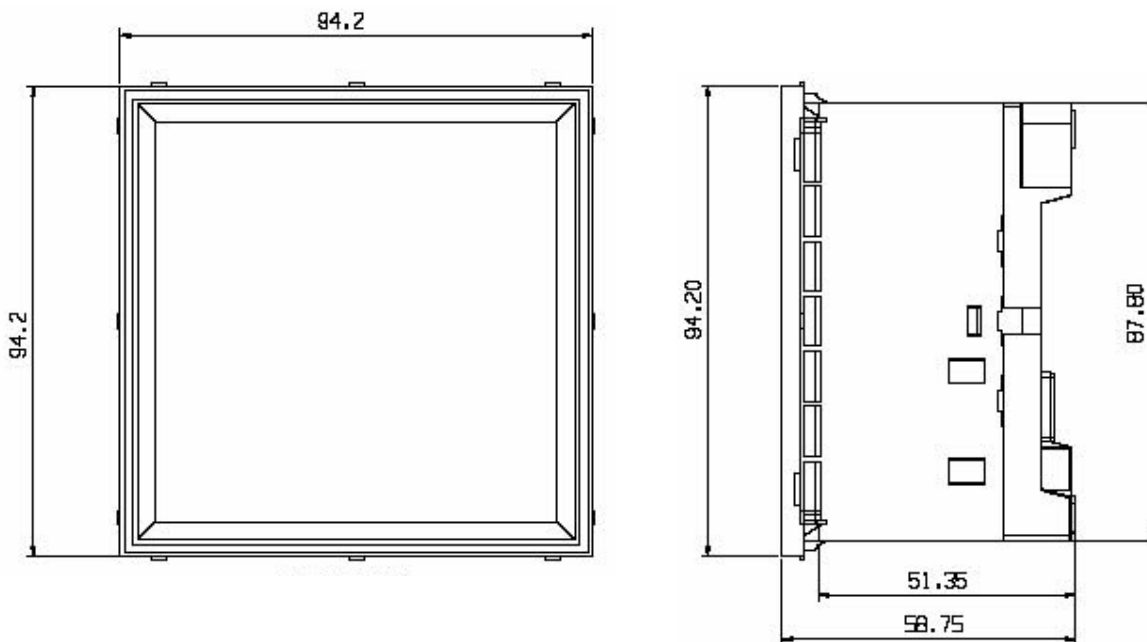
ZIEGLER INSTRUMENTS

D-92318,Neumarkt, Eberhard-Faber-Str.2,
Nuernberg,Germany..
Tel.: 0049 918130483 / 42218
Fax : 0049 918130420
E-mail : info@ziegler-instruments.com
Website : <http://www.ziegler-instruments.com>

ZIEGLER DPM 396 A/V

Power supply	Direct voltage DC	: 24V (21...30V)	5.5W approx. (isolated).
	Alternating voltage AC	: 115V + 10% -15%	5.5W approx. (isolated).
		: 230V + 10% -15%	5.5W approx. (isolated).
		Frequency	: 47 – 60 Hz.
Ambient conditions	Operating temperature	: 0 ... 55 °C.	
	Storage temperature	: - 25 ... 70 °C.	
Dimensions and Weights	Bezel size	: 96 mm x 96 mm DIN 43 700	
	Panel cut-out	: 92 + 0.8 mm x 92 + 0.8 mm.	
	Overall depth	: 53 mm.	
	Weight	: 500 gm. Approx.	
Sundry	Connections	: Plug-in screw terminal blocks.	

Design & Installation



ZIEGLER INSTRUMENTS

D-92318, Neumarkt, Eberhard-Faber-Str.2,
Nuernberg, Germany..

Tel.: 0049 918130483 / 42218

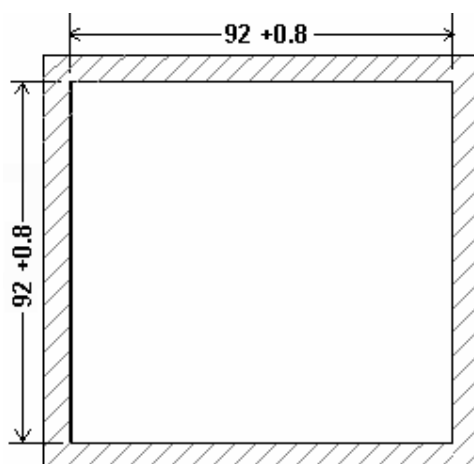
Fax : 0049 918130420

E-mail : info@ziegler-instruments.com

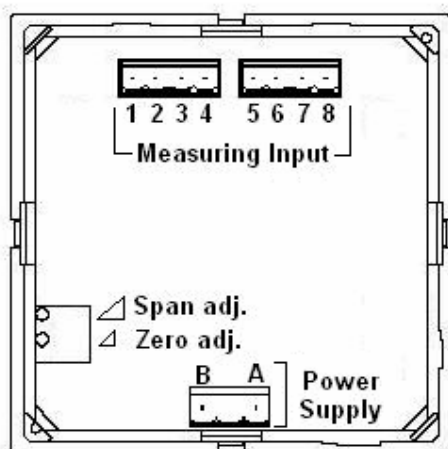
Website : <http://www.ziegler-instruments.com>

ZIEGLER DPM 396 A/V

Installation Cut-out :



Connections Diagram :



ZIEGLER INSTRUMENTS

D-92318, Neumarkt, Eberhard-Faber-Str.2,

Nuernberg, Germany..

Tel.: 0049 918130483 / 42218

Fax : 0049 918130420

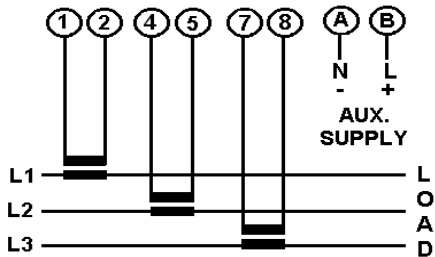
E-mail : info@ziegler-instruments.com

Website : <http://www.ziegler-instruments.com>

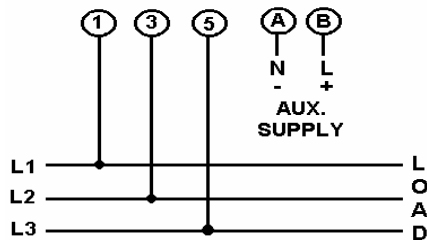
ZIEGLER DPM 396 A/V

Connections Diagram :

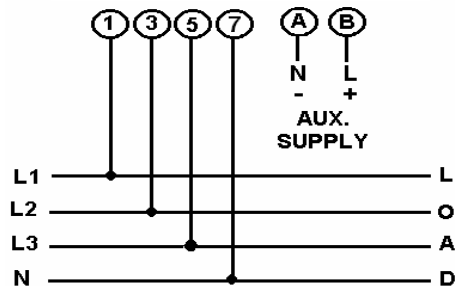
CONNECTION FOR 3PH. 3 WIRE / 4 WIRE DPM 396A



CONNECTION FOR 3PH. 3 WIRE DPM 396V



CONNECTION FOR 3PH. 4 WIRE DPM 396V



Decimal point Adjustment : Decimal point position is selectable by short links at the front side of Display.

Short Link Position	Decimal point position on Display
	XXXX
	X.XXX
	XX.XX
	XXX.X

ZIEGLER INSTRUMENTS

D-92318, Neumarkt, Eberhard-Faber-Str.2,
Nuernberg, Germany..

Tel.: 0049 918130483 / 42218

Fax : 0049 918130420

E-mail : info@ziegler-instruments.com

Website : <http://www.ziegler-instruments.com>

ZIEGLER DPM 396 A/V

Order Details	Example	Example
Type : ZIEGLER DPM 396V	ZIEGLER DPM 396A
System Type : 3PH. 4WIRE	3PH. 3WIRE
Measuring Input : 0 ... 415 VL-L	0 ... 1 A
Input Frequency : 50Hz	60Hz
Display Full-Scale : 0 ... 500	0 ... 1000
Display caption : V	A
Options :	
Aux. Supply : 230 V AC, 50 Hz.	24 V DC

ZIEGLER INSTRUMENTS

D-92318,Neumarkt, Eberhard-Faber-Str.2,
Nuernberg,Germany..

Tel.: 0049 918130483 / 42218

Fax : 0049 918130420

E-mail : info@ziegler-instruments.com

Website : <http://www.ziegler-instruments.com>