

ZIEGLER DPM 196 A/V

Features:

- Available in Size 96mm x 96mm
- 1PH. AC Current ranges and voltage ranges
- On site Programmable CT/PT ratio.
- 3 ½ digit ultra bright Display.
- User defined caption
- Auxillary Power Supply :
AC – 230V (+10% / -15%).
AC – 110V (+10% / -15%).
DC – 24V (21....30 V)

Highly adaptable DPMs suitable for a wide range of measuring applications.

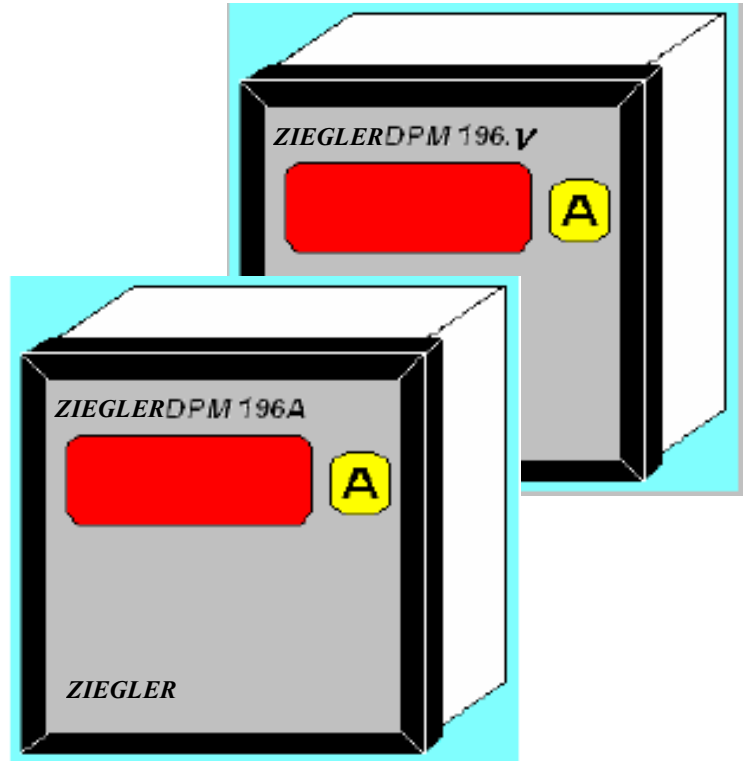
Versions available for 1PH. AC Current and AC voltage inputs.

The chosen input range is user adjustable, from 5% to 100% of the full-scale value, for simple adaptation of the digital readout to the input value.

Applications

The digital panel meters ZIEGLER DPM 196 A/V have been designed for industrial applications, which frequently require precise and on-site adjustment of the display range.

It can be used in industrial automation and for laboratory uses.



Description

ZIEGLER DPM 196 A/V:

196A	1PH. Current measurement (AC)
196V	1PH. Voltage measurement (AC)

3 ranges for power supply are available.

Applicable Regulations and Standards

Protection Class Front	IP 20 to IEC EN 60 529 IP 50
Device safety	IEC EN 61 010
EMC immunity	IEC/ EN 61 000-4-1 to 4
EMC radiated interference	IEC/ EN 61326 Class B

ZIEGLER INSTRUMENTS

D-92318, Neumarkt, Eberhard-Faber-Str.2,
Nuernberg, Germany..
Tel.: 0049 918130483 / 42218
Fax : 0049 918130420
E-mail : info@ziegler-instruments.com
Website : <http://www.ziegler-instruments.com>

ZIEGLER DPM 196 A/V

Specifications :

Display:	Display range	: 1999
	Decimal point position	: Selectable by short links at the front side of Display.
	Negative display indication	: “ - “
	Digit height	: 14 mm / 7- segment digits.
	Overload indication	: Last 3 digits blank.

Measuring ranges:

Model	196A
Current Ranges Available (Voltage drop < 600 mV)	0...1A [45 65 Hz] or 0...1A [400 Hz] or 0...5A [45 65 Hz] or 0...5A [400 Hz]
Model	196V
Voltage Ranges Available (Input Current < 600 μ A)	0...500 VAC [45 65 Hz] or 0...500 VAC [400 Hz].

Accuracy :

Versions 196 A/V:	Measuring Accuracy Current (Voltage drop < 600 mV)	< 0.25% + 1 digit.
	Measuring Accuracy Voltage (Input Current < 600 μ A)	< 0.25% + 1 digit.
	Temperature coefficient	100 ppm/°C, plus.
	Zero point drift	200 ppm/°C.
	Range adjustment span	from 5% to 100% of range.

ZIEGLER INSTRUMENTS

D-92318, Neumarkt, Eberhard-Faber-Str.2,
Nuernberg, Germany..

Tel.: 0049 918130483 / 42218

Fax : 0049 918130420

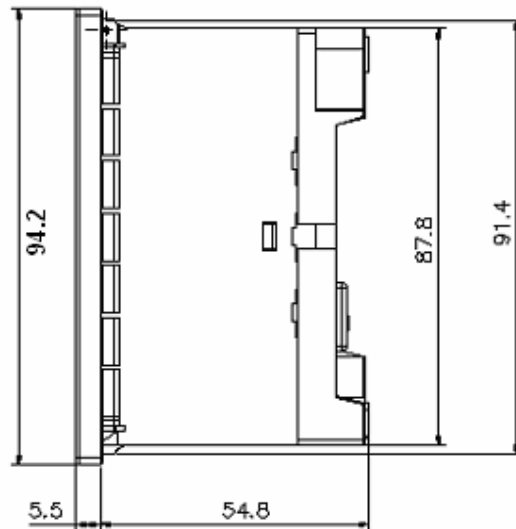
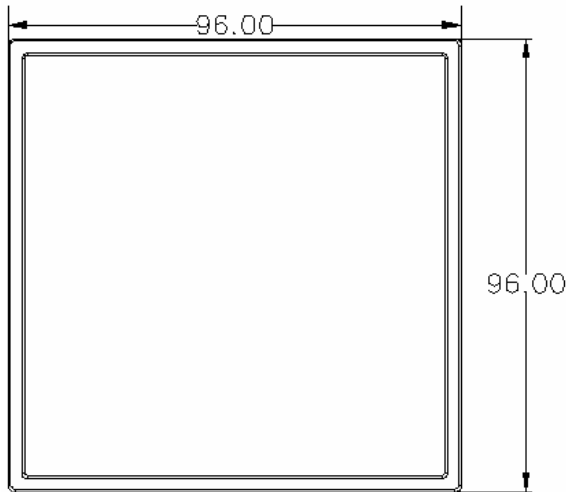
E-mail : info@ziegler-instruments.com

Website : <http://www.ziegler-instruments.com>

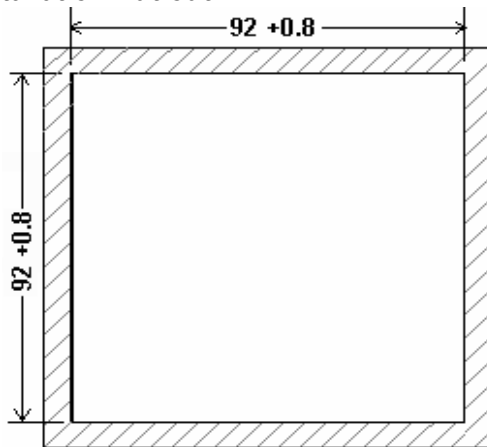
ZIEGLER DPM 196 A/V

Power supply	Direct voltage DC	24 V DC (21...30V)	5.5W approx. (isolated).
	Alternating voltage AC	: 110 V AC (+ 10% / -15%) 230 V (+ 10% / -15%)	5.5W approx. (isolated). 5.5W approx. (isolated).
	Frequency	: 47 – 60 Hz.	
Ambient conditions	Operating temperature	: 0 ... 55 °C.	
	Storage temperature	: - 25 ... 70 °C.	
Dimensions and Weights	Bezel size	: 96 mm x 96 mm DIN 43 700	
	Panel cut-out	: 92 ^{+0.8} mm x 92 ^{+0.8} mm	
	Overall depth	: 55 mm.	
	Weight	: 500 gm. Approx.	
Sundry	Connections	: Plug-in screw terminal blocks.	

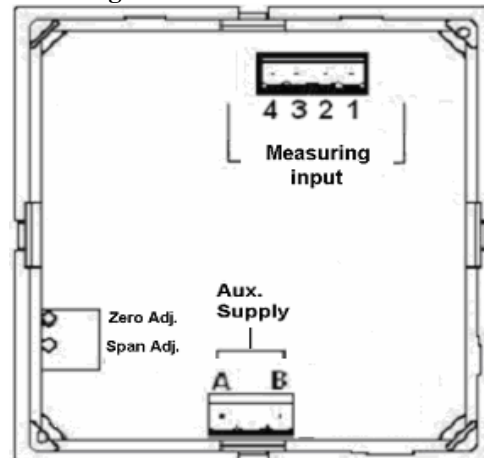
Design & Installation



Installation Cut-out :



Connections Diagram :



ZIEGLER INSTRUMENTS

D-92318, Neumarkt, Eberhard-Faber-Str.2,
Nuernberg, Germany..

Tel.: 0049 918130483 / 42218

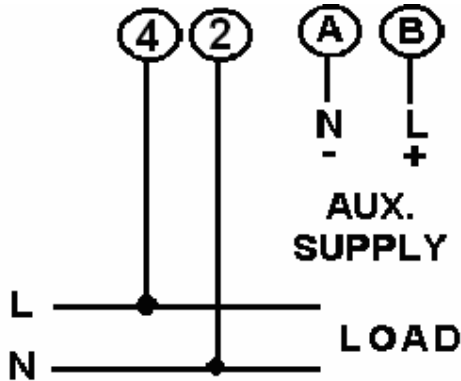
Fax : 0049 918130420

E-mail : info@ziegler-instruments.com

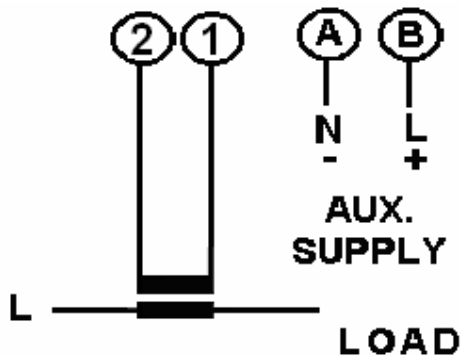
Website : <http://www.ziegler-instruments.com>

Connections Diagram :

CONNECTION FOR ZIEGLER DPM 196V



CONNECTION FOR ZIEGLER DPM 196A



Decimal point Adjustment :

Decimal point position is selectable by short links at the front side of Display.

Short Link Position	Decimal point position on Display
	XXXX
	X.XXX
	XX.XX
	XXX.X

ZIEGLER INSTRUMENTS

D-92318, Neumarkt, Eberhard-Faber-Str.2,
 Nuernberg, Germany..
 Tel.: 0049 918130483 / 42218
 Fax : 0049 918130420
 E-mail : info@ziegler-instruments.com
 Website : <http://www.ziegler-instruments.com>

ZIEGLER DPM 196 A/V

Order Details

Example 1

Example 2

Type: ZIEGLER DPM 196A	ZIEGLER DPM 196V
Measuring Input: 0 ... 1 A	0.....500 V
Input Frequency: 50Hz	50 Hz
Display Full-Scale: 0 ... 1000	0.....500
Display caption: A	V
Aux. Supply : 230V AC, 50 Hz.	110V AC, 50 Hz

ZIEGLER INSTRUMENTS

D-92318,Neumarkt, Eberhard-Faber-Str.2,
Nuernberg,Germany..

Tel.: 0049 918130483 / 42218

Fax : 0049 918130420

E-mail : info@ziegler-instruments.com

Website : <http://www.ziegler-instruments.com>