

ZIEGLER DPM 24/48 D / ZIEGLER DPM 24/48 F

Digital Panel Meter

Features :

- Front bezel size 48 x 24 mm
- Low power LED display
- Standard measuring ranges, Inc. 4 ... 20 mA
- 'Snap-in' panel mounting

Compact digital display units in a 48 mm x 24 mm DIN-standard snap-in housing. The units are suitable for connecting standard current and voltage signals, including 4 mA ... 20 mA.

The low power consumption and small overall size of these DPMs suits high-density panel applications.

Applications

The digital panel meter *ZIEGLER DPM 24 x 48 D/F* has been designed for industrial applications, which frequently require precise, on-site adjustment of the display range.

It can be used in industrial automation and for laboratory uses.

It provides cost-effective solution for virtually all switchboard instruments.



Description

The *ZIEGLER DPM 24 x 48 F* is a digital panel meter for connection of measurement for voltage (0 ... 0.2 V, 0 ... 2 V or 0 ... 20 V) with 3 ranges.

The *ZIEGLER DPM 24 x 48 D* is a digital panel meter for connection of measurement for voltage (10 V) and current (1 mA, 20 mA or 4 ... 20 mA) with 4 ranges.

The setting of measuring range and display range is made by positioning DIP switches. The chosen input range is user adjustable from 10 % to 100 % of the full scale value by potentiometer on the rear of the meter.

Applicable Regulations and Standards

Protection class front	IP 20 to IEC EN 60 529 IP 54 (IP 54 on request)
Climatic class	Class 2 VDE/DIN 3540
Safety class	II to IEC 348 / VDE 0411
Device safety	to IEC EN 61 010
EMC immunity	DIN EN 61 000-4-1 to 4
EMC radiated interference	DIN EN 50 081 class B

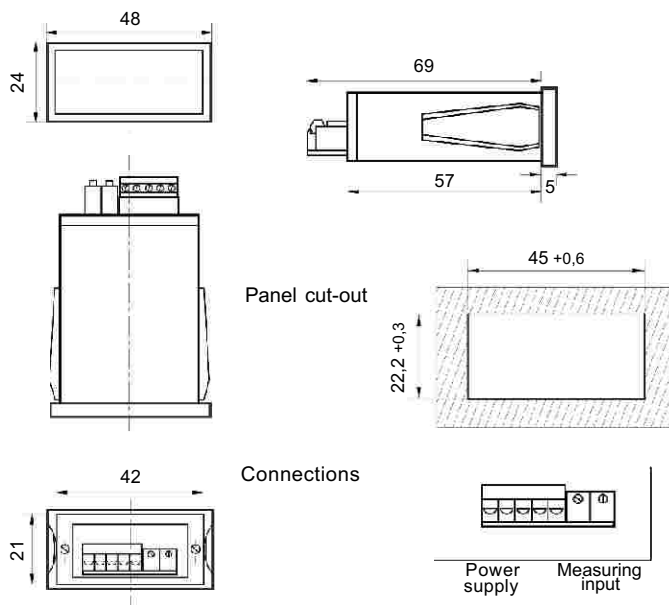
ZIEGLER DPM 24/48 D

ZIEGLER DPM 24/48 F

Specifications

Display	Display range	1999	
	Decimal point position	programmable, settable by DIP switch	
	Negative display indication	"_"	
	Digit height	8 mm / 7-segment digits	
	Overload indication	Last 3 digits blank	
	Setting time	< 1s (0...99%)	
	Measuring ranges	Direct voltage (Input current < 100 μ A)	Version D 0 ... 10 V
			Version F 0 ... 0.2 V
			0 ... 2 V
			0 ... 20 V
Direct current (Voltage drop < 200 mV)		0 ... 1 mA	
		0 ... 20 mA	
		4 ... 20 mA	
Measuring accuracy		< 0.2% + 1 digit	
Temperature coefficient		100 ppm/ $^{\circ}$ C, plus	
Zero point drift		200 ppm/ $^{\circ}$ C	
Interference voltage suppression	> 40 dB		
Range adjustment span	from 10% to 100% of range		
Power supply	24 V DC	21 ... 30 V DC, 50 mA approx.	
	Optional	5 V DC \pm 5%, 150 mA approx.	
Ambient conditions	Operating temperature	0 ... 50 $^{\circ}$ C	
	Storage temperature	-40 ... 80 $^{\circ}$ C	
Dimensions and Weights	Bezel size	48 mm x 24 mm DIN 43 718	
	Panel cut-out	45 +0.6 mm x 22.2 + 0.3 mm	
Sundry	Overall depth	69 mm	
	Weight	< 50 g.	
	Connections	plug-in screw terminal block	

Design and installation



Order Details

Example

Type : ZIEGLER DPM 24/48 D
Measuring input: 0... 20 mA
Display : 0... 12.00
Display caption : pH
Options :
Supply Voltage : 24 V DC